

Flanged chemical seals series D820-824-825

Chemical seals with built-in flange

Flange facing and diaphragm of the same material
(D824, D825)

Fluid temperature from -60 to +400°C



D820 DN > 25 mm



D820 DN ≤ 25 mm

Designed for process, chemical, petrochemical, petroleum, power, waste treatment industries, etc.

Used when the process monitored requires an interface protecting the measuring device from the fluid to be measured (viscosity, corrosion, contamination, temperature, etc.).



D824



D825

D820 models for DN less than or equal to 25

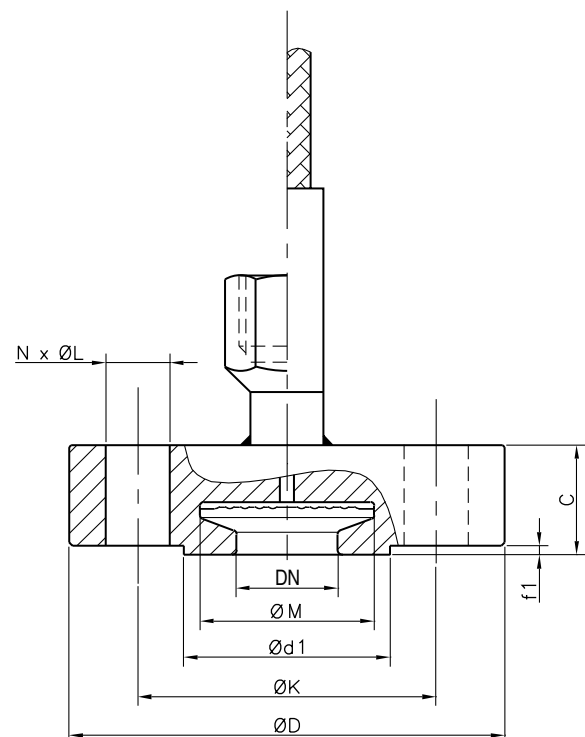
Chemical seals with built-in flange, Raised face

ANSI		ISO and EN		Min. M.R. in bar (20°C)	Ø M in mm
Class	DN	PN	DN		
		10/16	15	0...6	38
		to	20	0...4	45
		25/40	25	0...1	54
150	1/2"			0...10	32
	3/4"			0...4	45
	1"			0...1.6	50

DN: Nominal diameter, PN: Nominal pressure in bar
Min. M.R.: Minimum measuring range in bar for a Ø 100 mm pressure gauge.

Maximum pressure according to the PN of the flange and its standardised pressure / temperature relation.

For lower measuring ranges, use series D425/D435.



Specifications

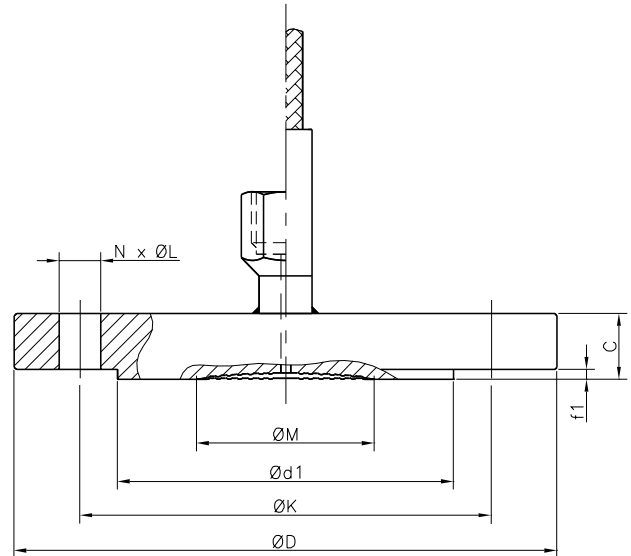
Flange	Stainless steel 1.4404 (AISI 316L). Face RF
Diaphragm (Ø M)	Stainless steel 1.4435 (AISI 316L)
Option	Wetted parts (Diaphragm and face joint): Hastelloy C276 (2.4819)
Connection	G 1/2 female thread
Capillary option	Standard length = 2 m; G 1/2 female connection Maximum length = 12 m

D820 models for DN greater than 25

Chemical seals with built-in flange, Raised face

DN	ANSI	ISO	EN	Min. M.R. in bar		Ø M
	Class	PN	PN	Vacuum and pressure	Pressure	
32 / 1"1/4	15...2500	10...420	10...400	-1...9	0...6	38
40 / 1"1/2	15...2500	10...420	10...400	-1...5	0...4	45
50 / 2"	150...2500	10...420	10...400	-1...3	0...0.6	54
65 / 2"1/2	150...900	10...150	10...160	-1...3	0...0.6	54
80 / 3"	150...1500	10...250	10...250	-1...0	0...0.16 Gauge P and absolute P.	89
100 / 4"	150...900	10...150	10...160	-1...0	0...0,16 Gauge P and absolute P.	95

DN: Nominal diameter, PN: Nominal pressure in bar
 Min. M.R.: Minimum measuring range in bar for a Ø 100 mm pressure gauge.
 Maximum pressure according to the PN of the flange and its standardised pressure / temperature relation.



Specifications

Flange	Stainless steel 1.4404 (AISI 316L). RF face.
Options	Other flanges (as per standard JIS, RTJ face, tongue, groove, spigot, etc.)
Diaphragm (Ø M)	Stainless steel 1.4435 (AISI 316L)
Options	Hastelloy B2 (2.4617) ; Hastelloy C.276 (2.4819) Hastelloy C4 (2.4610) ; Uranus B6 (1.4539)

Connection	G 1/2 female thread
Capillary option	Standard length = 2 m; G 1/2 female connection Maximum length = 12 m
Diaphragm coating and flange facing (Ø d1)	PTFE thickness 0.02 mm Halar thickness 0.2 mm Gold thickness 15 µm

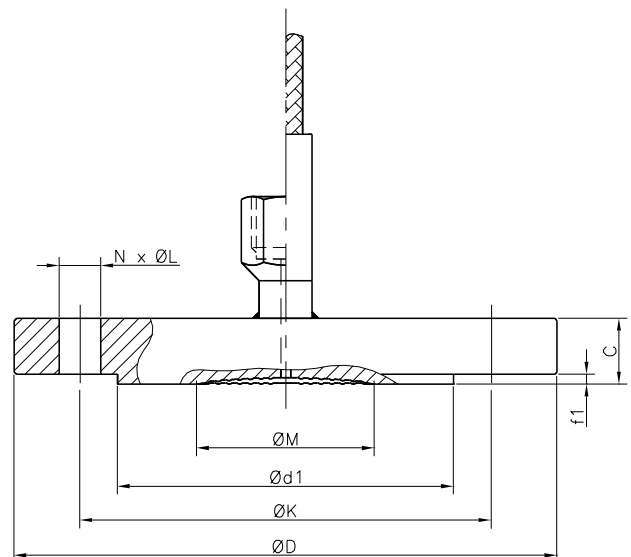
D824 models

Chemical seals with built-in flange, Raised face Flange facing and diaphragm made of Tantalum or Hastelloy

DN	ANSI	ISO	EN	Min. M.R. in bar		Ø M
	Class	PN	PN	Vacuum and pressure	Pressure	
50 / 2"	150...2500	10...420	10...400	-1...3	0...0.6	54
80 / 3"	150...1500	10...250	10...250	-1...0	0...0.16 Gauge P and absolute P.	89
100 / 4"	150...900	10...150	10...160	-1...0	0...0,16 Gauge P and absolute P.	95

DN: Nominal diameter, PN: Nominal pressure in bar
 Min. M.R.: Minimum measuring range in bar for a Ø 100 mm pressure gauge.
 Maximum pressure according to the PN of the flange and its standardised pressure / temperature relation.

Flange face: Raised face (RF)
 Finish: Ra ≤ 0.4



Specifications

Flange	Stainless steel 1.4404 (AISI 316L). RF face
Flange facing and diaphragm (Ø d1)	Hastelloy B2 (2.4617) ; Hastelloy C276 (2.4819) ; Hastelloy C4 (2.4610) ; Tantalum

Connection	G 1/2 female thread
Capillary option	Standard length = 2 m; G 1/2 female connection Maximum length = 12 m
Max. fluid temperature Option	Hastelloy = 250°C ; Tantalum = 100°C Max. = 400°C

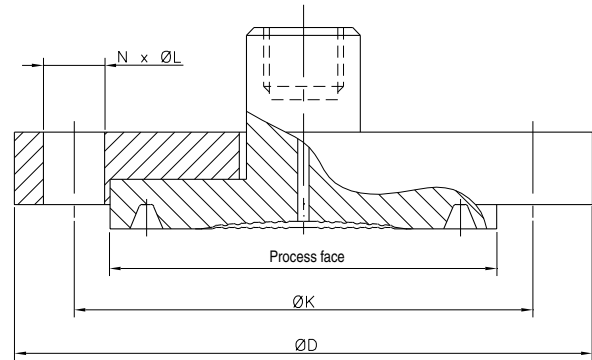
D825 models

Chemical seal with built-in flange, Process face made of special materials (Constructed on request, contact us)

	ANSI	ISO	EN
DN	Class	PN	PN
50 / 2"	150...600	10...100	10...100
80 / 3"	150...300	10...50	10...40
100 / 4"	150...300	10...50	10...40

DN: Nominal diameter, PN: Nominal pressure in bar

Maximum pressure according to the PN of the flange and its standardised pressure / temperature relation.



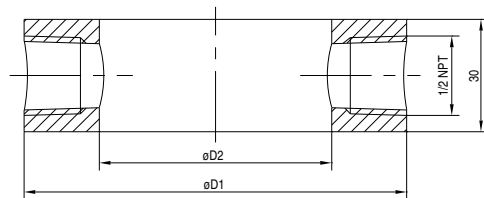
Specifications

Face in contact with the fluid to be measured (diaphragm and flange facing) Hastelloy B2 (2.4617) ; Hastelloy C276 (2.4819)
Hastelloy C4 (2.4610); Titanium; Uranus B6 (1.4539)
Monel 400 (2.4360); Nickel (2.4066)

All types of face

Cleaning ring for mounting between flanges

	ANSI	ISO			
DN	Class	PN	D1	D2	Code
2"	150...2500	20 - 50	92	62	53102-01
3"		100 - 150	127	92	53102-02
4"		250 - 420	157	92	53102-03
50		10 - 16	102	62	53102-04
80		25 - 40	138	92	53102-05
100			162	92	53102-06



Specifications

Mounting Raised face (RF) or Flat face flanges

Options

Other types of face (RTJ) (contact us)
1/2 NPT plug (code 27446-03-00)

Material Stainless steel 1.4404 (AISI 316L)
Options Other materials (contact us)

Diaphragm material

Code	Material	D820 DN ≤ 25	D820 DN > 25	D824	D825
2	Stainless steel (1.4435)	X	X		
3	Uranus B6 (1.4539)		X		X
5	Hastelloy B2 (2.4617)		X	X	X
6	Hastelloy C276 (2.4819)	X	X	X	X
A	Hastelloy C4 (2.4610)		X	X	X
7	Tantalum			X	
8	Titanium				X
9	Monel 400 (2.4360)				X
Option D824 High Temperature 400°C					
G	Hastelloy B2 (2.4617)			X	
H	Hastelloy C276 (2.4819)			X	
J	Hastelloy C4 (2.4610)			X	
K	Tantalum			X	

Chemical seal filling liquid

Code	Type of liquid
LRS0	No filling
LRS1	-15...150°C Standard liquid
LRS2	-60...150°C Low temperature liquid
LRS4	-15...150°C Liquid for oxygen and chlorinated products; Pmax. 150 bar at 20°C
LRS8	0...300°C Vacuum and absolute pressure
LRS9	-40...400°C High temperature liquid

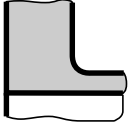
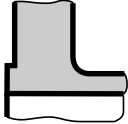
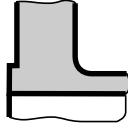
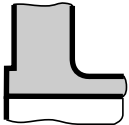
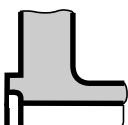
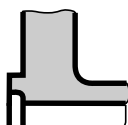
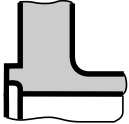
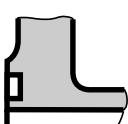
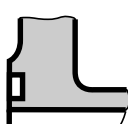
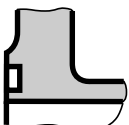
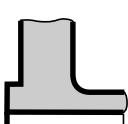
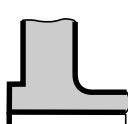
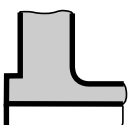
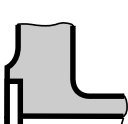
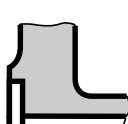
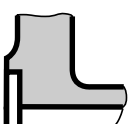
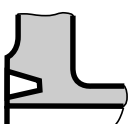
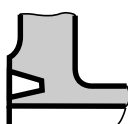
Standardised flange dimensions

ISO or ANSI B16-5 FLANGES												
ISO	Code	ANSI	CODE	PN	Class	Ø D	C	Ø K	Ø L	N	f1	Ø d1
15	C	1/2	2	10/40		95	24	65	14	4	2	45
				20	150	89	24	60.3	15.8	4	1.6	34.9
20	D	3/4	3	10/40		105	26	75	14	4	2	58
				20	150	99	26	69.8	15.8	4	1.6	42.9
25	E	1	4	10/40		115	26	85	14	4	2	68
				20	150	108	26	79.4	15.8	4	1.6	50.8
32	F	1 1/4	5	10/16		140	16	100	18	4	2	78
				20	150	117	15.9	88.9	15.8	4	1.6	63.5
				25/40		140	18	100	18	4	2	78
				50	300	133	19	98.4	19	4	1.6	63.5
40	G	1 1/2	6	10/40		150	18	110	18	4	3	88
				20	150	127	17.5	98.4	15.8	4	1.6	73
				50	300	156	20.6	114.3	22.2	4	1.6	73
				100	600	156	28.8	114.3	22.2	4	6.4	73
				150/250	900/1500	178	38.2	123.8	28.5	4	6.4	73
50	H	2"	7	10/16		165	18	125	18	4	3	102
				20	150	152	19.1	120.6	19	4	1.6	92.1
				25/40		165	20	125	18	4	3	102
				50	300	165	22.4	127	19	8	1.6	92.1
				100	600	165	31.8	127	19	8	6.4	92.1
				150/250	900/1500	216	44.5	165.1	25.4	8	6.4	92.1
				420	2500	235	50.8	171.5	28.5	8	6.4	92.1
80	K	3"	9	10/16		200	20	160	18	8	3	138
				20	150	190	23.9	152.4	19	4	1.6	127
				25/40		200	24	160	18	8	3	138
				50	300	210	28.4	168.3	22.2	8	1.6	127
				100	600	210	38.2	168.3	22.2	8	6.4	127
				150	900	241	44.5	190.5	25.4	8	6.4	127
				250	1500	267	54.2	203.2	31.8	8	6.4	127
100	L	4"	V	10/16		220	22	180	18	8	3	158
				20	150	229	23.9	190.5	19	8	1.6	157.2
				25/40		235	26	190	22	8	3	162
				50	300	254	31.8	200	22.2	8	1.6	157.2
				100	600	273	44.5	215.9	25.4	8	6.4	157.2
				150	900	292	50.9	235	31.8	8	6.4	157.2

FLANGES as per EN1092-1									
DN	Code	PN	Ø D	C	Ø K	Ø L	N	f1	Ø d1
15	C	10/40	95	24	65	14	4	2	45
20	D	10/40	105	26	75	14	4	2	58
25	E	10/40	115	26	85	14	4	2	68
40	G	10/40	150	18	110	18	4	2	88
		63/100	170	26	125	22	4	2	88
		160	170	28	125	22	4	2	88
		250	185	34	135	26	4	2	88
50	H	10/40	165	20	125	18	4	2	102
		63	180	26	135	22	4	2	102
		100	195	28	145	26	4	2	102
		160	195	30	145	26	4	2	102
		250	200	38	150	26	8	2	102
80	K	10/16	200	20	160	18	8	2	138
		25/40	200	24	160	18	8	2	138
		63	215	28	170	22	8	2	138
		100	230	32	180	26	8	2	138
		160	230	36	180	26	8	2	138
		250	255	46	200	30	8	2	138
100	L	10/16	220	20	180	18	8	2	158
		25/40	235	24	190	22	8	2	162
		63	250	30	200	26	8	2	162
		100	265	36	210	30	8	2	162
		160	265	40	210	30	8	2	162

Flange face definition tables

ISO / ANSI / EN 1092-1 - Flanges

ISO PN 10-16-25 and 40 EN1092-1 PN 10 to 100	ISO PN 20 and 50 ANSI Class 150/300	ISO PN 100-150-250-420 ANSI Class 600/900/1500/2500
<p>Codes</p> <p>A </p> <p>Flat Face FF (type A)</p>	<p>Codes</p> <p>G </p> <p>Raised Face (type B1) (RF de 1,6)</p>	<p>Codes</p> <p>R </p> <p>Raised Face (type B2) (RF de 6,4)</p>
<p>B </p> <p>Raised Face RF (type B)</p>	<p>H I </p> <p>large small</p> <p>Male tongue (large type C1 - small type C2)</p>	<p>H I </p> <p>large small</p> <p>Male tongue (large type C1 - small type C2)</p>
<p>C </p> <p>Male tongue (type C)</p>	<p>K L </p> <p>large small</p> <p>Female groove (large type D1 - small type D2)</p>	<p>K L </p> <p>large small</p> <p>Female groove (large type D1 - small type D2)</p>
<p>D </p> <p>Female groove (type D)</p>	<p>M N </p> <p>large small</p> <p>Male spigot (large type E1 - small type E2)</p>	<p>M N </p> <p>large small</p> <p>Male spigot (large type E1 - small type E2)</p>
<p>E </p> <p>Male spigot (type E)</p>	<p>O P </p> <p>large small</p> <p>Female spigot (large type F1 - small type F2)</p>	<p>O P </p> <p>large small</p> <p>Female spigot (large type F1 - small type F2)</p>
<p>F </p> <p>Female spigot (type F)</p>	<p>Q </p> <p>Ring joint face (RTJ) (type J)</p>	<p>Q </p> <p>Ring joint face (RTJ) (type J)</p>

Flange facing finishes

Finishing: standard machining as per Standard

Other finishes on request:

- Stock Finish
- Spiral Serrated
- Concentric Serrated
- Smooth Finish
- Cold Water Finish

Codification

		Dxxxxxx2xxxx	
Type of chemical seal	1' ... 4' digit		
D820 - D824 - D825		Dxxx	
Mounting and type of Capillary	5' digit		
Direct mounting		1	
Stainless steel capillary with stainless steel protection		A	
Stainless steel capillary with stainless steel protection and PVC sheath		B	
Stainless steel capillary with reinforced stainless steel protection		C	
For special capillary interior diameter 2.5 mm (separators mounted on MX, MZ, MA, ME, RPP, RD)			
Stainless steel capillary with stainless steel protection Ø 2.5		G	
Stainless steel capillary with stainless steel protection and PVC sheath Ø 2.5		H	
Stainless steel capillary with reinforced stainless steel protection Ø 2.5		J	
Capillary length	6' digit		
No Capillary (direct mounting)		0	
Length 1 m		1	
Length 1.5 m		E	
Length 2 m		2	
Length 3 m		3	
Length 4 m		4	
Length 4.5 m		F	
Length 5 m		5	
Length 6 m		6	
Length 7 m		7	
Length 8 m		8	
Length 9 m		9	
Length 10 m		A	
Length 11 m		C	
Length 12 m		D	
Connection on measuring instrument side	7' digit		
G 1/2 female		L	
G 1/4 female		H	
1/2 NPT female		N	
1/4 NPT female		8	
Flange standard	8' digit		
ISO flange		1	
ANSI B 16-5 flange		2	
DIN 2501 flange		3	
EN1092-1		4	
Flange material	9' digit		
Stainless steel 316L (1.4404)		2	
PN	10' digit		
ANSI			
Class 150		1	
Class 300		2	
Class 600		3	
Class 900		4	
Class 1500		5	
Class 2500		6	
ISO / EN			
PN 10		C	
PN 16		D	
PN 20		E	
PN 25		F	
PN 40		G	
PN 50		H	
PN 100		J	
PN 150		K	
PN 250		L	
PN 420		M	
DN	11' digit		
ANSI (see table page 4)		x	
ISO / EN (see table page 4)		x	
Flange face ⁽¹⁾	12' digit		
See table («Definitions of flange faces» on page 5)		x	
Diaphragm material	13' digit		
See table («Diaphragm material» on page 3)		x	
Diaphragm coating and flange facing	14' digit		
No coating		0	
PTFE 0.02 mm ^{(2) (3)}		1	
HALAR 0.2 mm ^{(2) (3)}		4	

⁽¹⁾ D824: Raised faces codes B or G only
D820: DN ≤ 25 raised faces codes B and G only

⁽²⁾ except Tantale diaphragm

⁽³⁾ except D820, DN15, DN20 and DN25

EN/2012-02-07 This data sheet must only be copied in full.